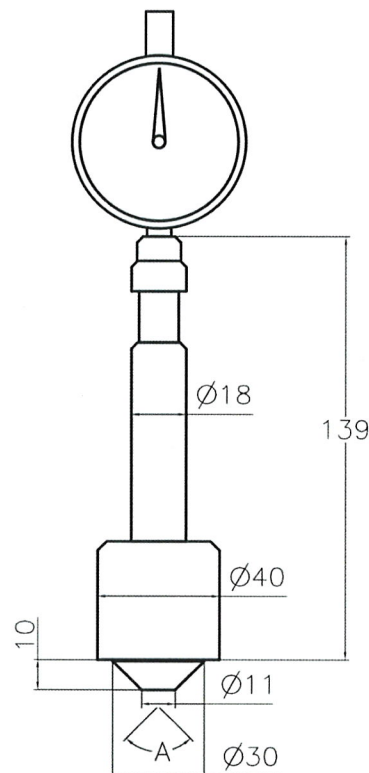
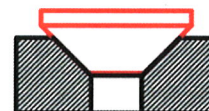


- Tip with inclination corresponding to the countersinking to be measured
- $\varnothing 8$ mm dial gauge clamping shank

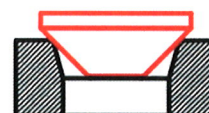
- Puntale ad inclinazione corrispondente alla svasatura da misurare
- Attacco omparatore  $\varnothing 8$



Article	Range $\varnothing$	A	Code	Kg
MEDUSA 1130	$\varnothing 11 - \varnothing 30$	$90^\circ$	00754	0,600



Per svasature a  $90^\circ$   
For  $90^\circ$  countersinking



Per svasature  $< 90^\circ$   
For countersinking  $< 90^\circ$