



Angle of rotation testers SmartCheck Angle

SmartCheck Angle

Art.No. 96521400
GTIN 4018754323005
Model SMARTCHECK ANGLE

Label. Rotation angle tester SmartCheck Angle Measuring-R.452 mm

Features.

- Variable and flexible angle of rotation tester thanks to interchangeable supports for angle controlled torque wrenches up to 400 N m
- The display, the display holder, and the base can be rotated 180°
- 1/2 inch square socket
- The display and foil keyboard are spray-proof and the housing is made of impact-resistant plastic
- The rotating arm can be fixed in place for transport
- Angle of rotation measurements up to 720° with setpoint setting and evaluation of the measurement results directly on the device.
- USB interface for documenting test values.
- Up to 200 time-stamped test values can be stored in the device.
- Optional documentation software via free download link

2 application modes:

- Track
- Peak-Hold

Operates via power supply or battery

Usage:

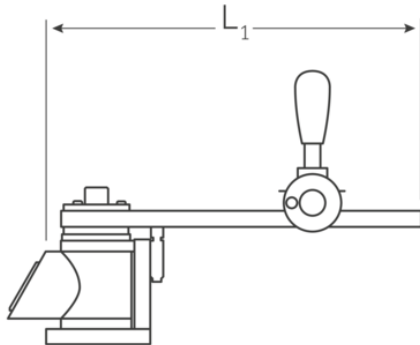
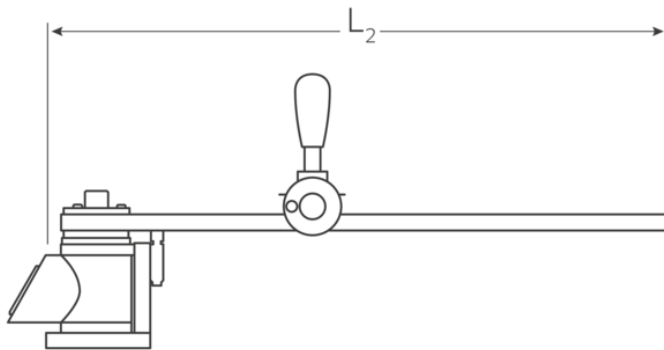
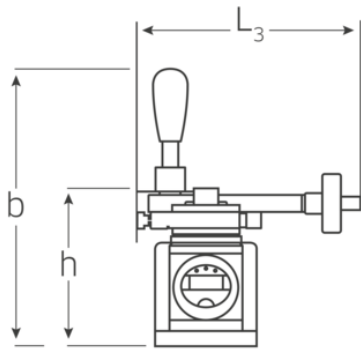
- Easy checking of angle controlled torque wrenches for compliance with the specified tolerance

Scope of delivery:

- Includes USB power supply, reducing adapters to 1/4" or 3/8" in a sturdy plastic case.



Technical Drawing.



Technical Attributes.

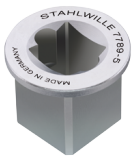
Width mm (b)	375 mm
Height mm (h)	213 mm
Measuring range [1]	452 mm
Measuring range [2]	752 mm
Measuring range [3]	263 mm
Measuring range N-m	-400 N·m

Logistics data.

Length (IFS)	730
Width (IFS)	375
Height (IFS)	213
Length (packed, mm)	730
Width (packed, mm)	375
Height (packed, mm)	213
Volume (packed, mm)	58.30875 dm ³
Artikelnummer	96521400
Weight (gross, kg)	11,500

Weight PAP (kg)	1,000
Weight PVC (kg)	0,000
GTIN	4018754323005
Country of origin	GERMANY
Region of origin	Nordrhein-Westfalen
WEEE/Electrical Act	Kleingeräte B2C
Customs tariff no.	90318080
Numbers of content units per order units	1
Weight	7800 g

Parts list.



58524091
Square drive adaptor



58524090
Square drive adaptor



81500004
Plastic case, empty



52110063
USB mains adapter



91100522
Packaging material



51110057
USB cable

Variants.

Artikelnummer	Article number (ERP)	Article description (Autom.)	GTIN
96521400	SMARTCHECK ANGLE	Rotation angle tester SmartCheck Angle Measuring-R.452 mm	4018754323005

GTIN-Code.



4 018754 323005



STAHLWILLE Eduard Wille GmbH & Co. KG

Lindenallee 27 · 42349 Wuppertal · Germany · Phone: +49 202 4791-0 · Fax: +49 202 4791-200
info@stahlwille.de · www.stahlwille.com · Copyright by STAHLWILLE Eduard Wille GmbH & Co. KG, Wuppertal
Copyright by STAHLWILLE Eduard Wille GmbH & Co. KG, Wuppertal