



Mechanical loader for torque screwdrivers

7790

Art.No. **58521090**

GTIN **4018754155569**

Model **7790**

Label.

Mechanical loader for torque screwdrivers Measuring-R.1-10N·m f.transducer
7728-1S

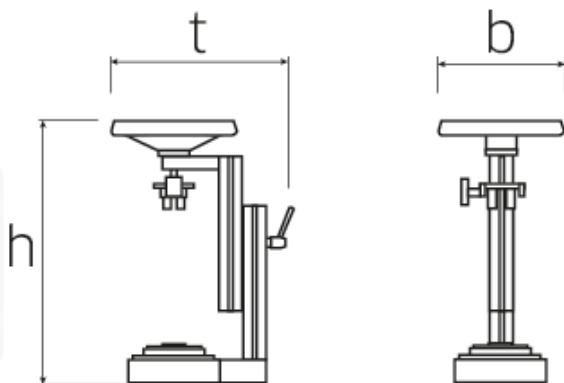
Features.

- Can be screwed onto the mechanical calibration system No. 7792
- The torque screwdriver to be calibrated is inserted into the transducer's square socket and fixed in place using the universal centre tensioner
- The handwheel is used to apply the necessary force to the torque screwdriver in a controlled manner
- Transducer and torque screwdriver not included in the scope of delivery

Advantages.

Can be screwed onto the mechanical calibration device No. 7792

Technical Drawing.



Technical Attributes.

Range N·m	1–10 N·m
Width mm (b)	250 mm
for transducers	7728-1S
Height mm (h)	442–593 mm
Length mm (L)	588 mm
t	351 mm

Logistics data.

Length (IFS)	588
Width (IFS)	390
Height (IFS)	265
Length (packed, mm)	595
Width (packed, mm)	395
Height (packed, mm)	295
Volume (packed, mm)	69.332375 dm ³
Artikelnummer	58521090
Weight (gross, kg)	8,950
Weight PAP (kg)	1,200
Weight PVC (kg)	0,000
GTIN	4018754155569
Country of origin	GERMANY
Region of origin	Nordrhein-Westfalen
WEEE/Electrical Act	nicht ear-pflichtig
Customs tariff no.	90319000
Numbers of content units per order units	1

Variants.

Artikelnummer	Article number (ERP)	Article description (Autom._)	GTIN
58521090	7790	Mechanical loader for torque screwdrivers Measuring-R.1–10N·m f.transducer 7728-1S	4018754155569

GTIN-Code.



STAHLWILLE Eduard Wille GmbH & Co. KG

Lindenallee 27 · 42349 Wuppertal · Germany · Phone: +49 202 4791-0 · Fax: +49 202 4791-200
 info@stahlwille.de · www.stahlwille.com · Copyright by STAHLWILLE Eduard Wille GmbH & Co. KG, Wuppertal
 Copyright by STAHLWILLE Eduard Wille GmbH & Co. KG, Wuppertal