

## Service MANOSKOP® torque wrenches w.mount for insert tools

### 730NA



Art.No. 50581102  
GTIN 4018754295326  
Model 730NA/2 40-180 INLB

#### Label.

Service MANOSKOP torque wrenches w.mount for insert tools No. 730NA  
Measuring-R. 40-180in lb Inside square stitch size 9 x 12 mm L. 275mm

#### Features.

- mount for interchangeable insert tools
- QuickRelease safety lock
- can be applied for either clockwise or anticlockwise tightening by turning the inserts over
- display deviation value  $\pm 3\%$  (size 2; a/2 4 %)

## Advantages.

Mount for interchangeable inserts/sockets

## Product highlights.



#### Flexible rod principle.

Mechanical torque wrenches from STAHLWILLE have a wear-resistant trigger system with a flexible rod. In contrast to conventional torque wrenches with spiral springs, the STAHLWILLE system eliminates one key work step: once the fastener has been tightened, it is not necessary to reset the wrench to »0«.



#### Simple.

Quick adjustment from outside, no disassembly of the torque wrench required, with two adjustment points for the maximum & minimum values.

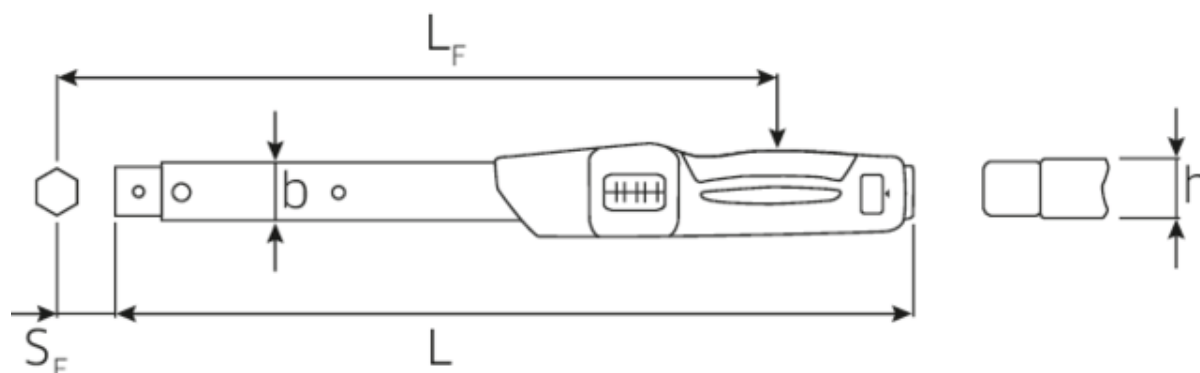


#### Clicking.

When the target torque is reached, MANOSKOP® 730N provides a noticeable tactile dual stop signal.

**Clear view.**

Easy-to-read dual scale with colour differentiation between the N·m and ft·lb scales to simplify fine setting.

**Technical Drawing.****Technical Attributes.**

Width mm (b)	28 mm
Fine scale division	2 in·lb
Size	a/2
Size hexagon socket [internal square]	9 x 12 mm
Height mm (h)	23 mm
Length mm (L)	275 mm
LF	226 mm
Measuring range ft·lb	3-15 ft·lb
Measuring range in·lb	40-180 in·lb
SF	17,5 mm
Scale division [E1]	10 in·lb
Scale division [E2]	0,5 ft·lb

**Logistics data.**

Length (IFS)	457
Width (IFS)	57
Height (IFS)	57
Length (packed, mm)	457
Width (packed, mm)	57
Height (packed, mm)	57
Volume (packed, mm)	1.484793 dm <sup>3</sup>
Artikelnummer	50581102
Weight (gross, kg)	0,967
Weight PAP (kg)	0,000
Weight PVC (kg)	0,060
GTIN	4018754295326
Country of origin	GERMANY
Region of origin	Nordrhein-Westfalen
WEEE/Electrical Act	nicht ear-pflichtig
Customs tariff no.	82041100
Numbers of content units per order units	1
Weight	737 g

## Variants.

Artikelnummer	Article number (ERP)	Article description (Autom.)	GTIN
50181002	730N/2	Torque wrench service MANOSKOP No. 730N/2 Measuring-R. 2-20N·m Inside square stitch size 9 x 12 mm L. 275mm	4018754170777
50581002	730NA/2	Torque wrench service MANOSKOP No. 730Na/2 Measuring-R. 20-180in lb Inside square stitch size 9 x 12 mm L. 275mm	4018754170784
50581102	730NA/2 40-180 INLB	Service MANOSKOP torque wrenches w.mount for insert tools No. 730NA Measuring-R. 40-180in lb Inside square stitch size 9 x 12 mm L. 275mm	4018754295326
50581040	730NA/40	Torque wrench service MANOSKOP No. 730Na/40 Measuring-R. 60-300in lb Inside square stitch size 14 x 18 mm L. 607mm	4018754164004
50581020	730NA/20	Torque wrench service MANOSKOP No. 730Na/20 Measuring-R. 350-1800in lb Inside square stitch size 14 x 18 mm L. 467mm	4018754139590
50581010	730NA/10	Torque wrench service MANOSKOP No. 730Na/10 Measuring-R. 180-900in lb Inside square stitch size 9 x 12 mm L. 386mm	4018754139576
50581005	730NA/5	Torque wrench service MANOSKOP No. 730Na/5 Measuring-R. 90-450in lb Inside square stitch size 9 x 12 mm L. 330mm	4018754139569

## GTIN-Code.



**STAHLWILLE Eduard Wille GmbH & Co. KG**

Lindenallee 27 · 42349 Wuppertal · Germany · Phone: +49 202 4791-0 · Fax: +49 202 4791-200

info@stahlwille.de · www.stahlwille.com · Copyright by STAHLWILLE Eduard Wille GmbH & Co. KG, Wuppertal

Copyright by STAHLWILLE Eduard Wille GmbH & Co. KG, Wuppertal