

Service MANOSKOP® torque wrenches w.mount for insert tools

730N



Art.No. **50181102**
GTIN **4018754295234**
Model **730N/2 4-20 NM**

Label.

Service MANOSKOP torque wrenches w.mount for insert tools No. 730N Measuring-R. 4-20N·m Inside square stitch size 9 x 12 mm L. 275mm

Features.

- mount for interchangeable insert tools
- QuickRelease safety lock
- can be applied for either clockwise or anticlockwise tightening by turning the inserts over
- **display deviation value $\pm 3\%$ (size 2; a/2 4 %)**

Advantages.

Mount for interchangeable inserts/sockets

Product highlights.



Flexible rod principle.

Mechanical torque wrenches from STAHLWILLE have a wear-resistant trigger system with a flexible rod. In contrast to conventional torque wrenches with spiral springs, the STAHLWILLE system eliminates one key work step: once the fastener has been tightened, it is not necessary to reset the wrench to »0«.



Simple.

Quick adjustment from outside, no disassembly of the torque wrench required, with two adjustment points for the maximum & minimum values.



Clicking.

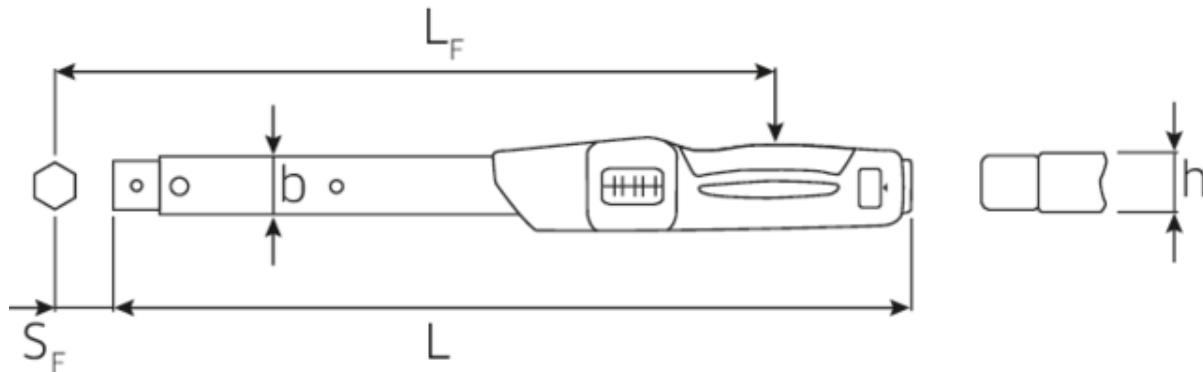
When the target torque is reached, MANOSKOP® 730N provides a noticeable tactile dual stop signal.



Clear view.

Easy-to-read dual scale with colour differentiation between the N·m and ft.lb scales to simplify fine setting.

Technical Drawing.



Technical Attributes.

Width mm (b)	28 mm
Fine scale division	0,2 N·m
Size	2
Size hexagon socket [internal square]	9 x 12 mm
Height mm (h)	23 mm
Length mm (L)	275 mm
LF	226 mm
Lowest value of measurement range N·m	4 N·m
Measuring range in-lb	40-180 in·lb
Measuring range N·m	4-20 N·m
Nominal value N·m	20 N·m
SF	17,5 mm
Scale division [E1]	1 N·m
Scale division [E2]	10 in·lb

Logistics data.

Length (IFS)	455
Width (IFS)	50
Height (IFS)	50
Length (packed, mm)	500
Width (packed, mm)	55
Height (packed, mm)	55
Volume (packed, mm)	1.5125 dm ³
Artikelnummer	50181102
Weight (gross, kg)	0,805
Weight PAP (kg)	0,000
Weight PVC (kg)	0,066
GTIN	4018754295234
Country of origin	GERMANY
Region of origin	Nordrhein-Westfalen
WEEE/Electrical Act	nicht ear-pflichtig
Customs tariff no.	82041100
Numbers of content units per order units	1
Weight	737 g

Variants.

Artikelnummer	Article number (ERP)	Article description (Autom.)	GTIN
50181102	730N/2 4-20 NM	Service MANOSKOP torque wrenches w.mount for insert tools No. 730N Measuring-R. 4-20N·m Inside square stitch size 9 x 12 mm L. 275mm	4018754295234

GTIN-Code.



STAHLWILLE Eduard Wille GmbH & Co. KG

Lindenallee 27 · 42349 Wuppertal · Germany · Phone: +49 202 4791-0 · Fax: +49 202 4791-200
info@stahlwille.de · www.stahlwille.com · Copyright by STAHLWILLE Eduard Wille GmbH & Co. KG, Wuppertal
Copyright by STAHLWILLE Eduard Wille GmbH & Co. KG, Wuppertal