

## Service MANOSKOP® torque wrenches w. permanently installed fine-tooth ratchet

### 730NR/10QR FK



Art.No. 96502110  
GTIN 4018754180509  
Model 730NR/10QR FK



**Label.** Torque wrench service MANOSKOP No. 730NR/10QR FK Measuring-R. 20-100N-m  
Output 1/2" L. 428,5mm

**Features.**

- in sturdy plastic box
- with QuickRelease safety lock
- **deviation of indication  $\pm 4\%$**

## Advantages.

Display deviation  $\pm 4\%$

## Product highlights.



### Flexible rod principle.

Mechanical torque wrenches from STAHLWILLE have a wear-resistant trigger system with a flexible rod. In contrast to conventional torque wrenches with spiral springs, the STAHLWILLE system eliminates one key work step: once the fastener has been tightened, it is not necessary to reset the wrench to »0«.



### Wear-resistant.

Wear resistant trigger system with a flexible rod. In contrast to conventional torque wrenches, it is not necessary to reset the wrench to zero after each job to unload the spring. In this way, users benefit from long-term accuracy and safe measurement results with less time required.



**Simple.**

Quick adjustment from outside, no disassembly of the torque wrench required, with two adjustment points for the maximum & minimum values.



**Clear view.**

Easy-to-read dual scale with colour differentiation between the N·m and ft.lb scales to simplify fine setting.



**Clicking.**

When the target torque is reached, MANOSKOP® 730N provides a noticeable tactile dual stop signal.

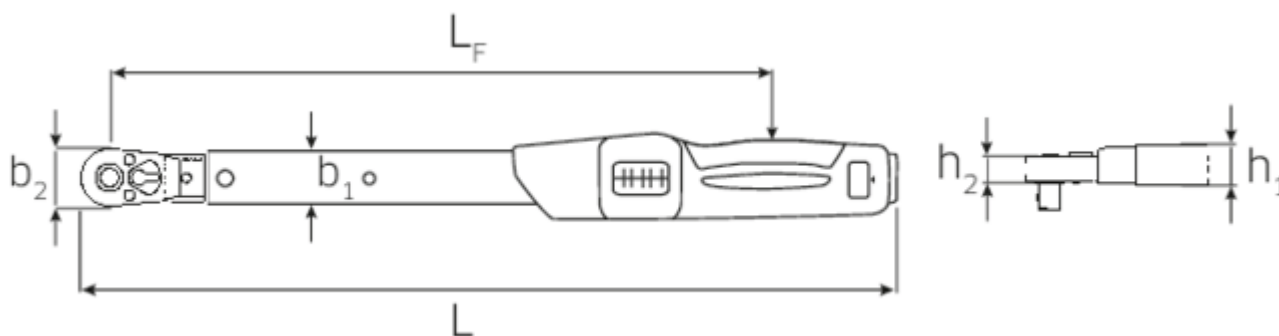
## Technologies and features.



**QuickRelease**

The QuickRelease technology ensures tools cannot be inadvertently lost – while enabling rapid, safe tool changes.

## Technical Drawing.



### Technical Attributes.

Output square drive outside (inch)	1/2"
b1	28 mm
b2	29 mm
Width mm (b)	92 mm
Fine scale division	0,5 N·m
Weight with box	1554 g
Size	10QR FK
Height mm (h)	70 mm
Height mm (h1)	23 mm

### Logistics data.

Length (IFS)	560
Width (IFS)	92
Height (IFS)	70
Length (packed, mm)	560
Width (packed, mm)	92
Height (packed, mm)	70
Volume (packed, mm)	3.6064 dm <sup>3</sup>
Artikelnummer	96502110
Weight (gross, kg)	1,730
Weight PAP (kg)	0,095

<b>Height mm (h2)</b>	14,5 mm	<b>Weight PVC (kg)</b>	0,000
<b>Length mm (L)</b>	428,5 mm	<b>GTIN</b>	4018754180509
<b>LF</b>	346,5 mm	<b>Country of origin</b>	GERMANY
<b>Measuring range ft-lb</b>	15-75 ft-lb	<b>Region of origin</b>	Nordrhein-Westfalen
<b>Measuring range N-m</b>	20-100 N-m	<b>WEEE/Electrical Act</b>	nicht ear-pflichtig
<b>Scale division [E1]</b>	10 N-m	<b>Customs tariff no.</b>	82041100
<b>Scale division [E2]</b>	2,5 ft-lb	<b>Numbers of content units per order units</b>	1
		<b>Weight</b>	1129 g

## Parts list.



81370002  
Plastic case, empty

83071004  
Inlay for plastic case

## Variants.

Artikelnummer	Article number (ERP)	Article description (Autom.)	GTIN
96502105	730NR/5QR FK	Torque wrench service MANOSKOP No. 730NR/5QR FK Measuring-R. 10-50N-m Output 3/8" L. 372,5mm	4018754180493
96502110	730NR/10QR FK	Torque wrench service MANOSKOP No. 730NR/10QR FK Measuring-R. 20-100N-m Output 1/2" L. 428,5mm	4018754180509
96502120	730NR/20QR FK	Torque wrench service MANOSKOP No. 730NR/20QR FK Measuring-R. 40-200N-m Output 1/2" L. 526mm	4018754180516

## GTIN-Code.





**STAHLWILLE Eduard Wille GmbH & Co. KG**

Lindenallee 27 · 42349 Wuppertal · Germany · Phone: +49 202 4791-0 · Fax: +49 202 4791-200  
info@stahlwille.de · www.stahlwille.com · Copyright by STAHLWILLE Eduard Wille GmbH & Co. KG, Wuppertal  
Copyright by STAHLWILLE Eduard Wille GmbH & Co. KG, Wuppertal