

Service MANOSKOP® torque wrenches w. permanently installed fine-tooth ratchet

730NR/40 FK



Art.No. 96502140
GTIN 4018754180523
Model 730NR/40 FK



Label.

Torque wrench service MANOSKOP No. 730NR/40 FK Measuring r. 60-300ft lb Drive 3/4 L. 657mm

Features.

- in sturdy plastic box (size 65 in steel box)
- **deviation of indication $\pm 4\%$**

Advantages.

Display deviation $\pm 4\%$.

Product highlights.



Flexible rod principle.

Mechanical torque wrenches from STAHLWILLE have a wear-resistant trigger system with a flexible rod. In contrast to conventional torque wrenches with spiral springs, the STAHLWILLE system eliminates one key work step: once the fastener has been tightened, it is not necessary to reset the wrench to »0«.



Wear-resistant.

Wear resistant trigger system with a flexible rod. In contrast to conventional torque wrenches, it is not necessary to reset the wrench to zero after each job to unload the spring. In this way, users benefit from long-term accuracy and safe measurement results with less time required.



Simple.

Quick adjustment from outside, no disassembly of the torque wrench required, with two adjustment points for the maximum & minimum values.



Clear view.

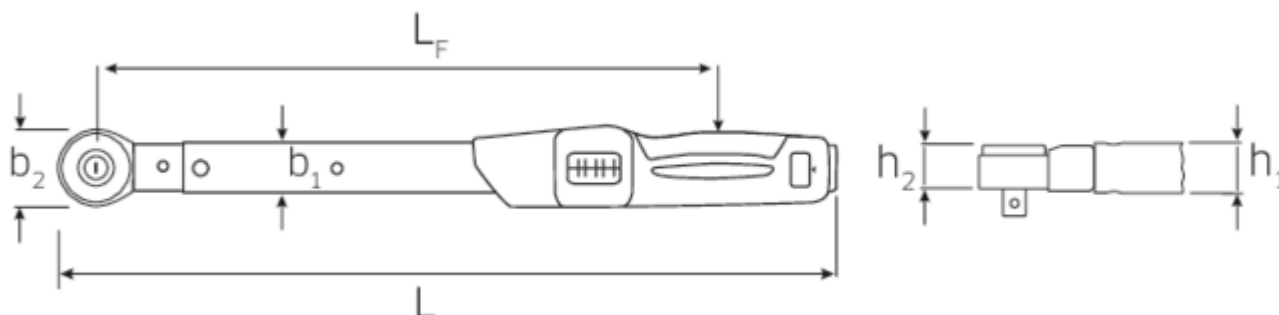
Easy-to-read dual scale with colour differentiation between the N·m and ft·lb scales to simplify fine setting.



Clicking.

When the target torque is reached, MANOSKOP® 730N provides a noticeable tactile dual stop signal.

Technical Drawing.



Technical Attributes.

External output drive (inch)	3/4
b1	28 mm
b2	50 mm
Width mm (b)	92 mm
Fine scale division	2 N·m
Weight with box	2657 g
Size	40 FK
Height mm (h)	70 mm
Height mm (h1)	23 mm
Height mm (h2)	31,5 mm
Length mm (L)	657 mm
LF	564,5 mm
Measuring range ft·lb	60-300 ft·lb
Measuring range N·m	80-400 N·m
Scale division [E1]	20 N·m
Scale division [E2]	10 ft·lb

Logistics data.

Depth mm (IFS)	685
Width mm (IFS)	92
Height mm (IFS)	70
Length (packed, mm)	685
Width (packed, mm)	92
Height (packed, mm)	70
Volume (packed, dm ³)	4.4114 dm ³
Art. no.	96502140
Weight (gross, kg)	2,910
Weight PAP (kg)	0,130
Weight PVC (kg)	0,000
GTIN	4018754180523
Country of origin	GERMANY
Region of origin	Nordrhein-Westfalen
WEEE/ElektroG	nicht ear-pflichtig
Customs tariff no.	82041100
Packing standard	1
Weight	2122 g

Variants.

Art. no.	Art. no. (ERP)	Description	GTIN
96503105	730NR / 5FK	Torque wrench service MANOSKOP No. 730NR/5 FK Measuring r. 7-37ft lb Drive 3/8 L. 364mm	4018754229376
96503110	730NR / 10FK	Torque wrench service MANOSKOP No. 730NR/10 FK Measuring r. 15-75ft lb Drive 1/2 L. 420mm	4018754229383
96503120	730NR / 20FK	Torque wrench service MANOSKOP No. 730NR/20 FK Measuring r. 30-150ft lb Drive 1/2 L. 513,5mm	4018754229390
96502140	730NR/40 FK	Torque wrench service MANOSKOP No. 730NR/40 FK Measuring r. 60-300ft lb Drive 3/4 L. 657mm	4018754180523
96502265	730NR/65 FK-HD	Torque wrench service MANOSKOP No. 730NR/65 FK-HD Measuring r. 100-480ft lb Drive 3/4 L. 944mm	4018754221554

GTIN-Code.



STAHLWILLE Eduard Wille GmbH & Co. KG

Lindenallee 27 · 42349 Wuppertal · Germany · Phone: +49 202 4791-0 · Fax: +49 202 4791-200

info@stahlwille.de · www.stahlwille.com · Copyright by STAHLWILLE Eduard Wille GmbH & Co. KG, Wuppertal

Copyright by STAHLWILLE Eduard Wille GmbH & Co. KG, Wuppertal