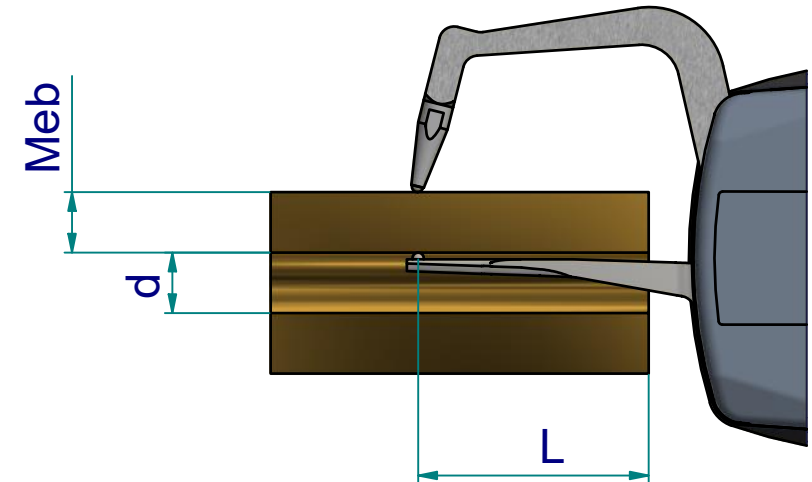


subject to technical alterations

type: C  
range: 0 - 15 mm  
range of indication: 0 - 15,5 mm  
digital step: 0,001 mm  
scale interval: -  
measuring force: 1,3 - 1,5 N  
weight: 165 g

acceptable deviations  
VDI/VDE/DGQ 2618 Bl. 12.1/13.1)  
max. permissible errors "G": 0,010 mm  
repeatability "r": 0,005 mm  
reference temperature: 20° C  
operation temperature: 10° C - 30° C  
storage temperature: -10° C - 50° C

scale: 1 : 1  
drawing-nr.: DAB-C0R15-KR-e  
date of issue: 14.09.2017  
name: A. Wess  
revision status: 2227  
revision date: 18.11.2020



measuring capacity

		measuring range Meb [mm]								
		1	3	5	7	9	11	13	15	
Internal diameter d [mm]	4	10,00	9,00	9,80	11,80	15,20	9,80	3,00	1,50	
	5	23,00	22,00	22,80	24,00	25,50	27,00	12,00	7,50	
	6	27,50	26,70	27,30	28,30	29,50	31,00	18,20	10,30	
	7	30,80	30,00	30,60	31,70	33,20	34,80	21,00	12,20	
	8	34,10	33,20	33,90	35,20	36,70	38,60	23,20	13,50	
	9	37,40	36,40	37,20	38,50	40,30	42,30	25,00	14,80	
	10	40,60	39,50	40,40	41,90	43,80	46,00	27,00	15,60	
	L									
	L = max. usable arm length [mm]									

Example:  
 d = 5    Meb = 7    L = 24

subject to technical alterations

drawing-nr.:	DAB-C0R15-KR-e
date of issue:	14.09.2017
name:	A. Wess
revision status:	2227
revision date:	18.11.2020