

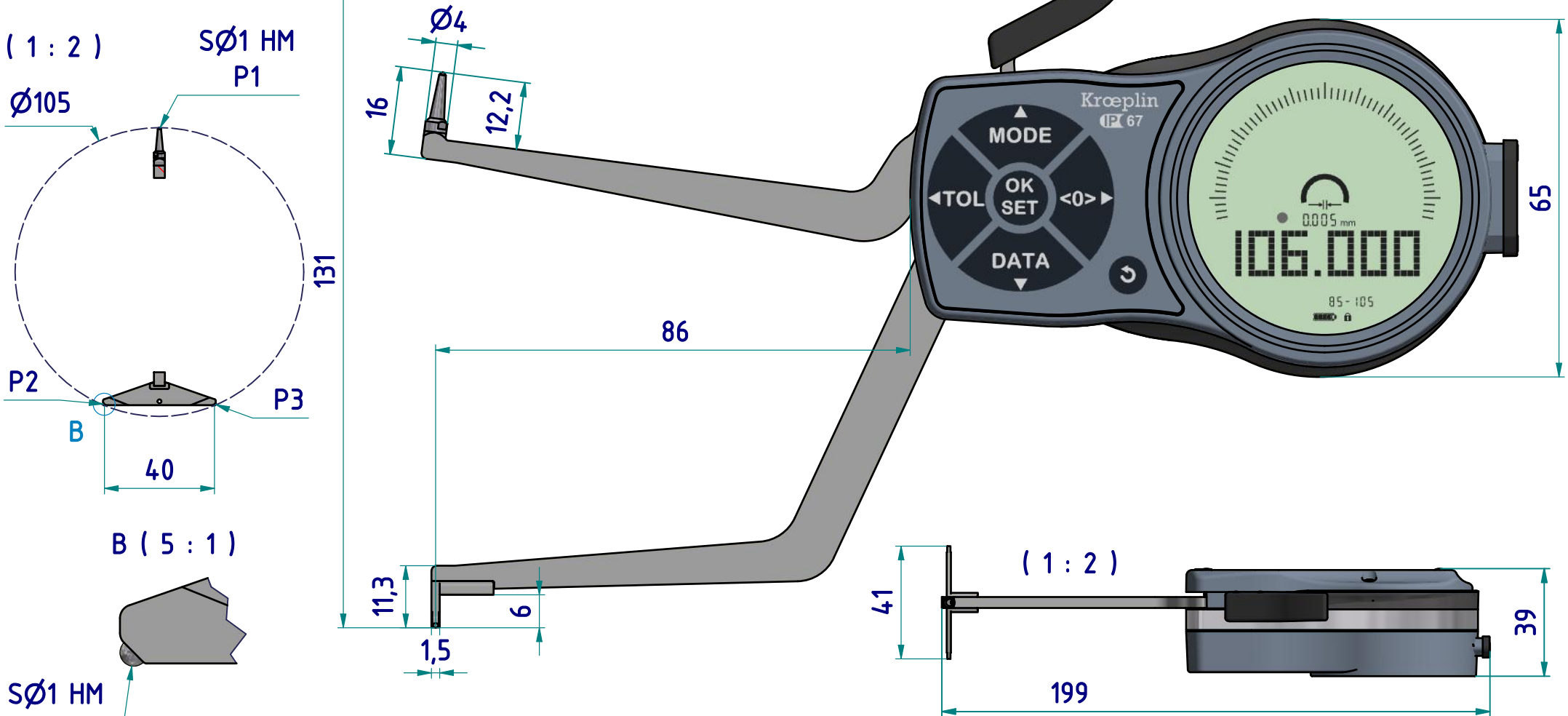
data sheet: L285P3

Kroeplin GmbH
Gartenstraße 50
D-36381 Schlüchtern

Tel.: 06661 86 0
Fax: 06661 86 39
Mail: sales@kroeplin.com
Web: www.kroeplin.com

Kroeplin
Längenmesstechnik

3-point
measuring



subject to technical alterations

type: L - P3
range: 85 - 105 mm
range of indication: 84,5 - 106 mm
digital step: 0,005 mm
scale interval: -
measuring force: 1,1 - 1,6 N
weight: 305 g

acceptable deviations
VDI/VDE/DGQ 2618 Bl. 12.1/13.1)
max. permissible
errors "G": 0,02 mm
repeatability "r": 0,01 mm
reference temperature: 20° C
operation temperature: 10° C - 30° C
storage temperature: -10° C - 50° C

scale: 1:1
drawing-nr.: DAB-L285P3-K-e
date of issue: 21.01.2020
name: B. Schmidt
revision status: 001
revision date: 23.09.2020

measuring capacity

measuring range Meb [mm]

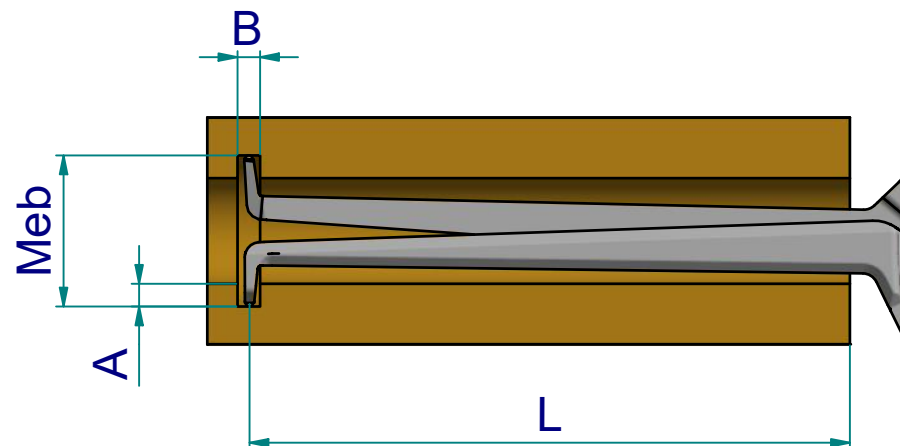
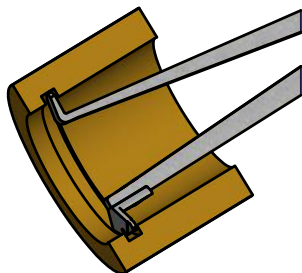
groove depth A [mm]	measuring range Meb [mm]											
	85	86	88	90	92	94	96	98	100	102	105	
0	0 / 80	0 / 80	0 / 81	0 / 81	0 / 82	0 / 82	0 / 83	0 / 83	0 / 83	0 / 84	0 / 84	
1			1,6 / 80	1,6 / 81	1,6 / 81	1,6 / 82	1,6 / 82	1,6 / 83	1,6 / 83	1,6 / 83	1,6 / 83	
2				1,6 / 81	1,6 / 81	1,6 / 81	1,6 / 82	1,7 / 82	1,7 / 82	1,8 / 83	1,8 / 83	
3					1,8 / 81	1,8 / 82	1,8 / 82	1,9 / 83	1,9 / 83	2,0 / 83	2,1 / 83	
4						2,1 / 82	2,1 / 82	2,1 / 83	2,1 / 83	2,2 / 83	2,2 / 83	
5							2,2 / 82	2,2 / 82	2,3 / 83	2,4 / 82	2,5 / 83	
6								2,5 / 82	2,5 / 83	2,5 / 83	2,6 / 83	
7									2,6 / 83	2,7 / 83	2,8 / 83	
8										2,9 / 83	3,1 / 83	
	B / L											

B = minimum groove weig

L = maximum groove length [mm]

Example: Meb = 92 B = 1,6

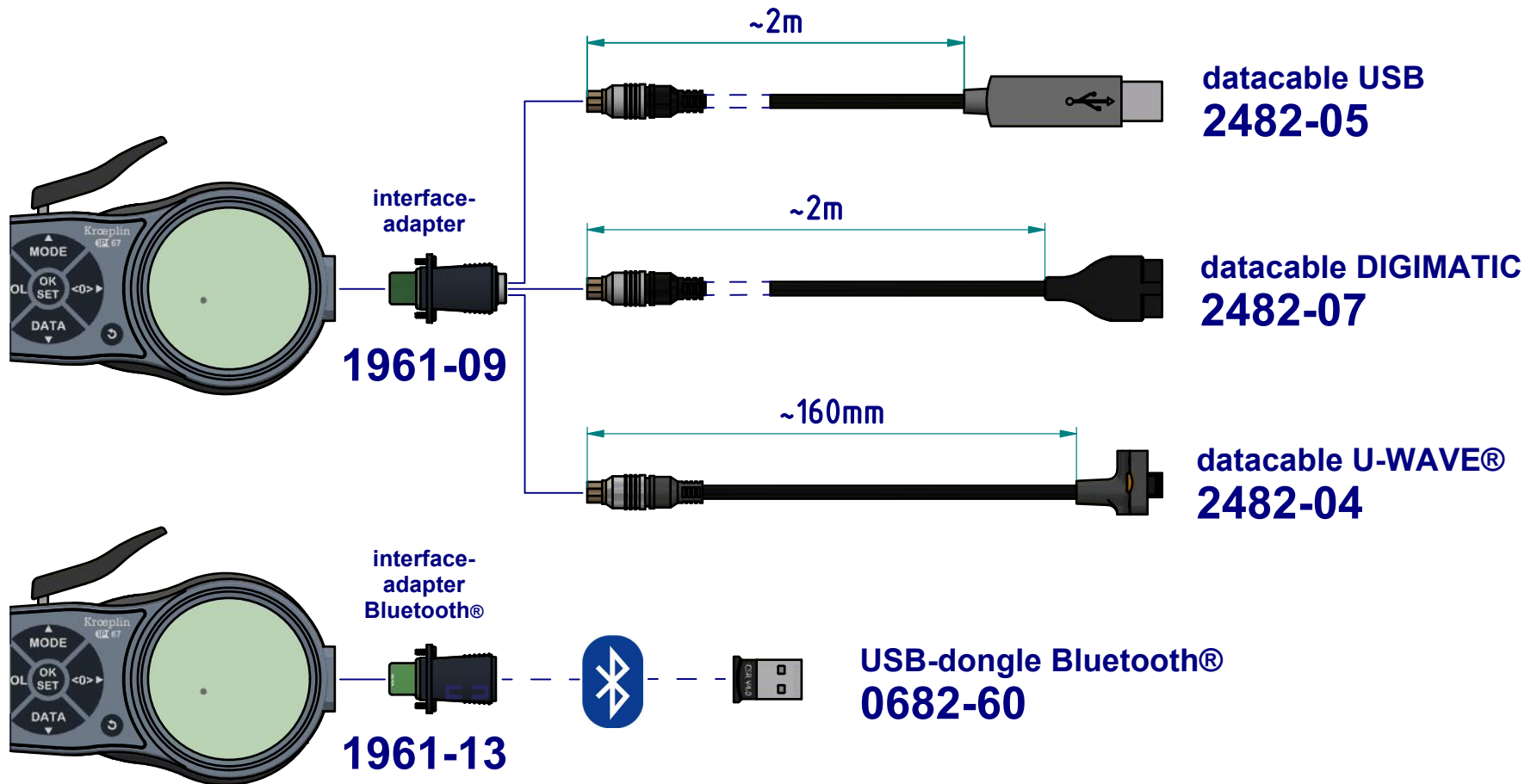
A = 2 L = 81



subject to technical alterations

drawing-nr.:	DAB-L285P3-K-e
date of issue:	21.01.2020
name:	B. Schmidt
revision status:	001
revision date:	23.09.2020

interface as accessories available:



subject to technical alterations

drawing-nr.:	DAB-L285P3-K-e
date of issue:	21.01.2020
name:	B. Schmidt
revision status:	001
revision date:	23.09.2020