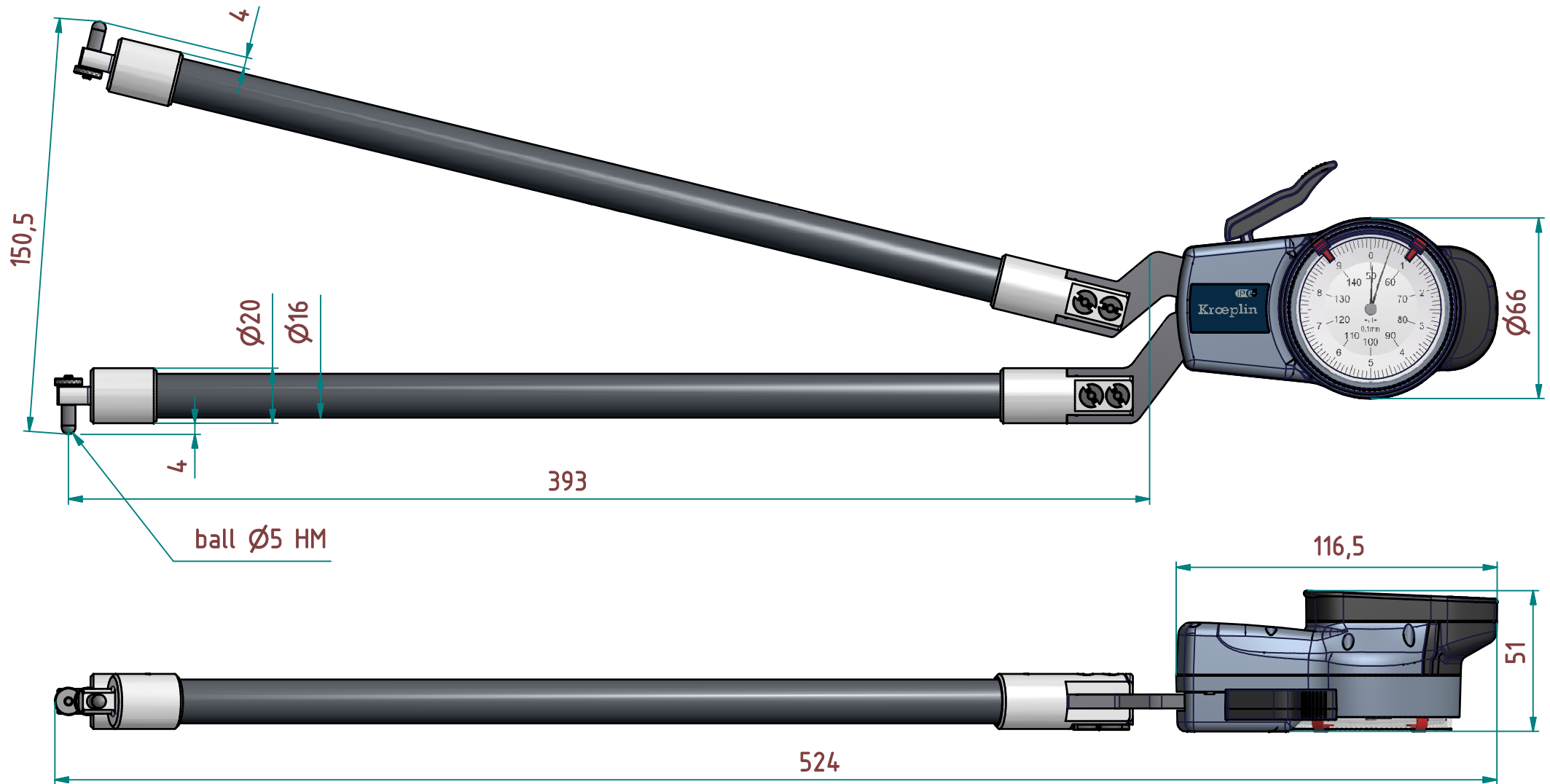


data sheet: H850

Kroepelin GmbH
Gartenstraße 50
D-36381 Schlüchtern

Tel.: 06661 86 0
Fax: 06661 86 39
Mail: sales@kroepelin.com
Web: www.kroepelin.com

Kroepelin
Längenmesstechnik



subject to technical alterations

type: M200
range: 50 - 150 mm
range of indication: 49,5 - 150,5 mm
digital step:
scale interval: 0,1 mm
measuring force: 0,8 - 2,0 N
weight: 590 g

acceptable deviations
VDI/VDE/DGQ 2618 Bl. 12.1/13.1)
max. permissible
errors "G": 0,15 mm
repeatability "r": 0,10 mm
reference temperature: 20° C
operation temperature: 10° C - 30° C
storage temperature: -10° C - 50° C

scale: 1 : 2
drawing-nr.: DAB-H850_KR_en
date of issue: 15.04.2013
name: Lange
revision status: 2096 / MHe
revision date: 01.04.2015