

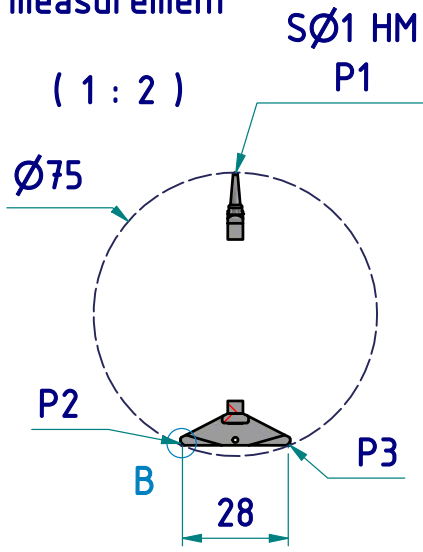
data sheet: L255P3

Kroepelin GmbH
Gartenstraße 50
D-36381 Schlüchtern

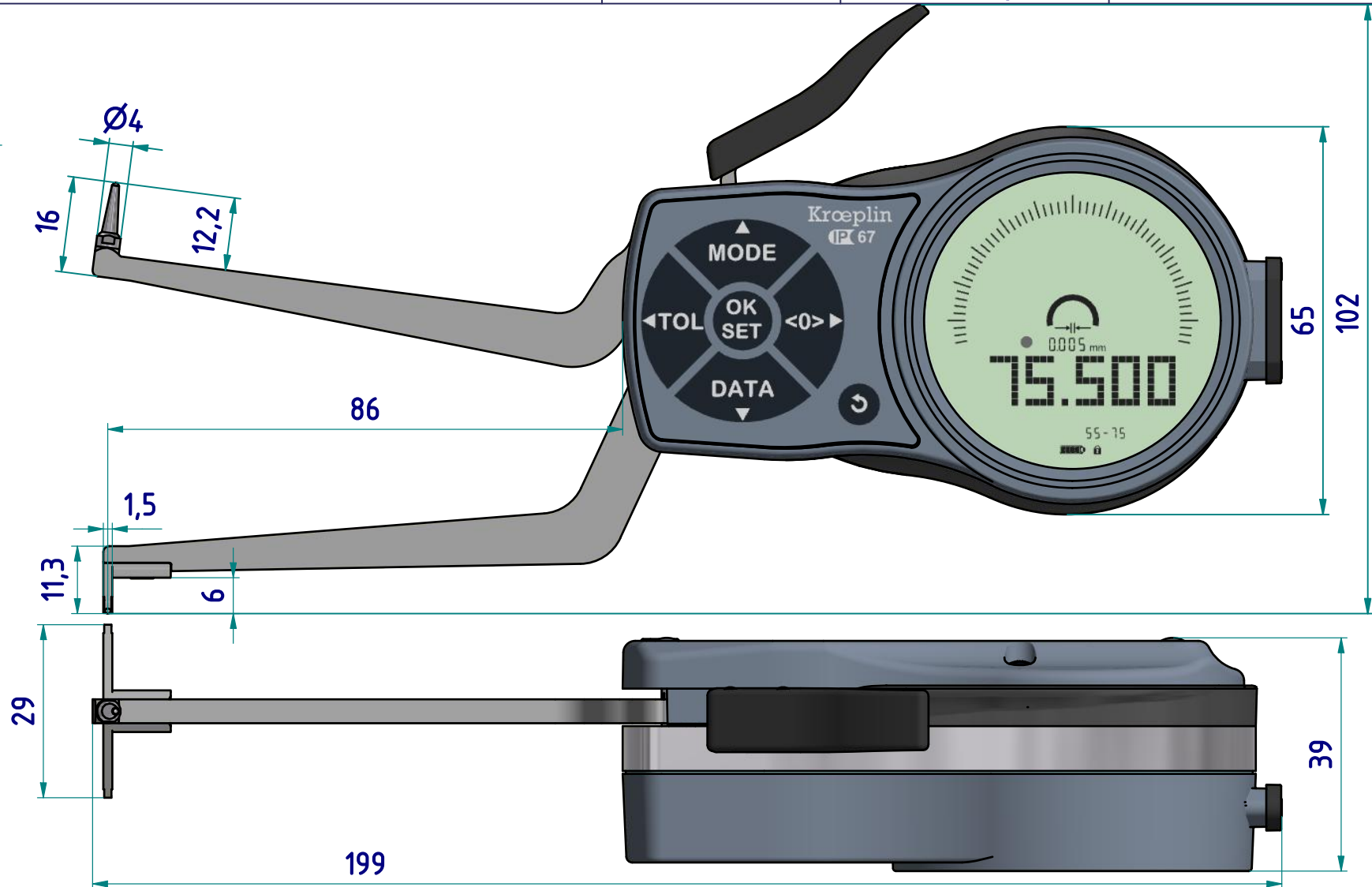
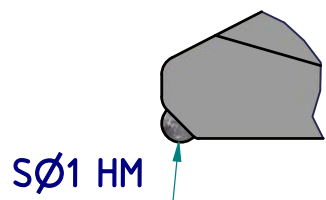
Tel.: 06661 86 0
Fax: 06661 86 39
Mail: sales@kroepelin.com
Web: www.kroepelin.com

Kroepelin
Längenmesstechnik

3-point
measurement



B (5 : 1)



subject to technical alterations

type: L - P3
range: 55 - 75 mm
range of indication: 54,5 - 75,5 mm
digital step: 0,005 mm
scale interval: -
measuring force: 1,1 - 1,6 N
weight: 290 g

acceptable deviations
VDI/VDE/DGQ 2618 Bl. 12.1/13.1)
max. permissible
errors "G": 0,02 mm
repeatability "r": 0,01 mm
reference temperature: 20° C
operation temperature: 10° C - 30° C
storage temperature: -10° C - 50° C

scale: 1:1
drawing-nr.: DAB-L255P3-K-e
date of issue: 21.01.2020
name: B. Schmidt
revision status: 001
revision date: 23.09.2020

measuring capacity

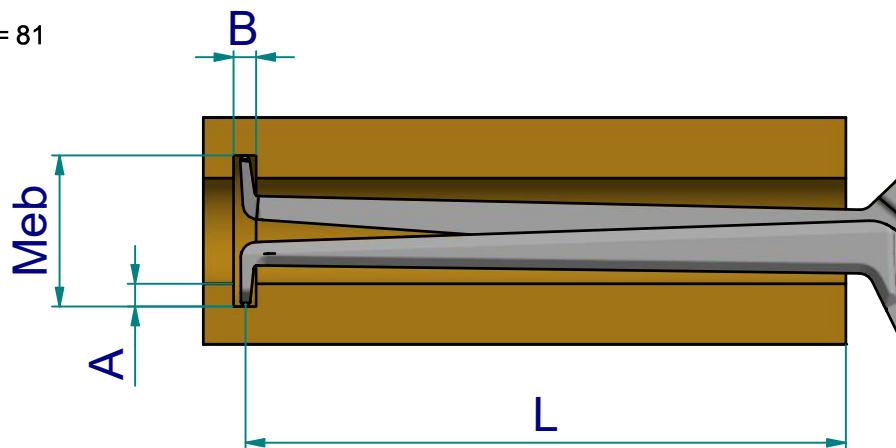
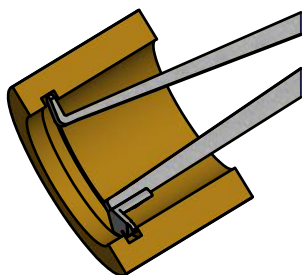
		measuring range Meb [mm]										
		55	56	58	60	62	64	66	68	70	72	75
groove depth A [mm]	0	0 / 81	0 / 81	0 / 81	0 / 82	0 / 82	0 / 82	0 / 83	0 / 83	0 / 83	0 / 84	0 / 84
	1			1,6 / 81	1,6 / 81	1,7 / 81	1,7 / 82	1,7 / 82	1,7 / 82	1,7 / 83	1,7 / 83	1,7 / 83
	2				1,7 / 81	1,7 / 81	1,7 / 81	1,7 / 82	1,7 / 82	1,8 / 83	1,8 / 83	1,9 / 83
	3					1,9 / 81	1,9 / 81	1,9 / 82	1,9 / 82	1,9 / 83	2,0 / 83	2,1 / 83
	4						2,1 / 81	2,1 / 81	2,1 / 82	2,1 / 82	2,2 / 83	2,2 / 83
	5							2,2 / 82	2,2 / 82	2,2 / 82	2,3 / 83	2,4 / 83
	6								2,4 / 82	2,4 / 82	2,5 / 83	2,6 / 83
	7									2,6 / 82	2,7 / 83	2,8 / 83
	8										2,9 / 83	3,1 / 83
B / L												

B = minimum groove width

L = maximum usable arm length [mm]

Example: Meb = 64 B = 1,7

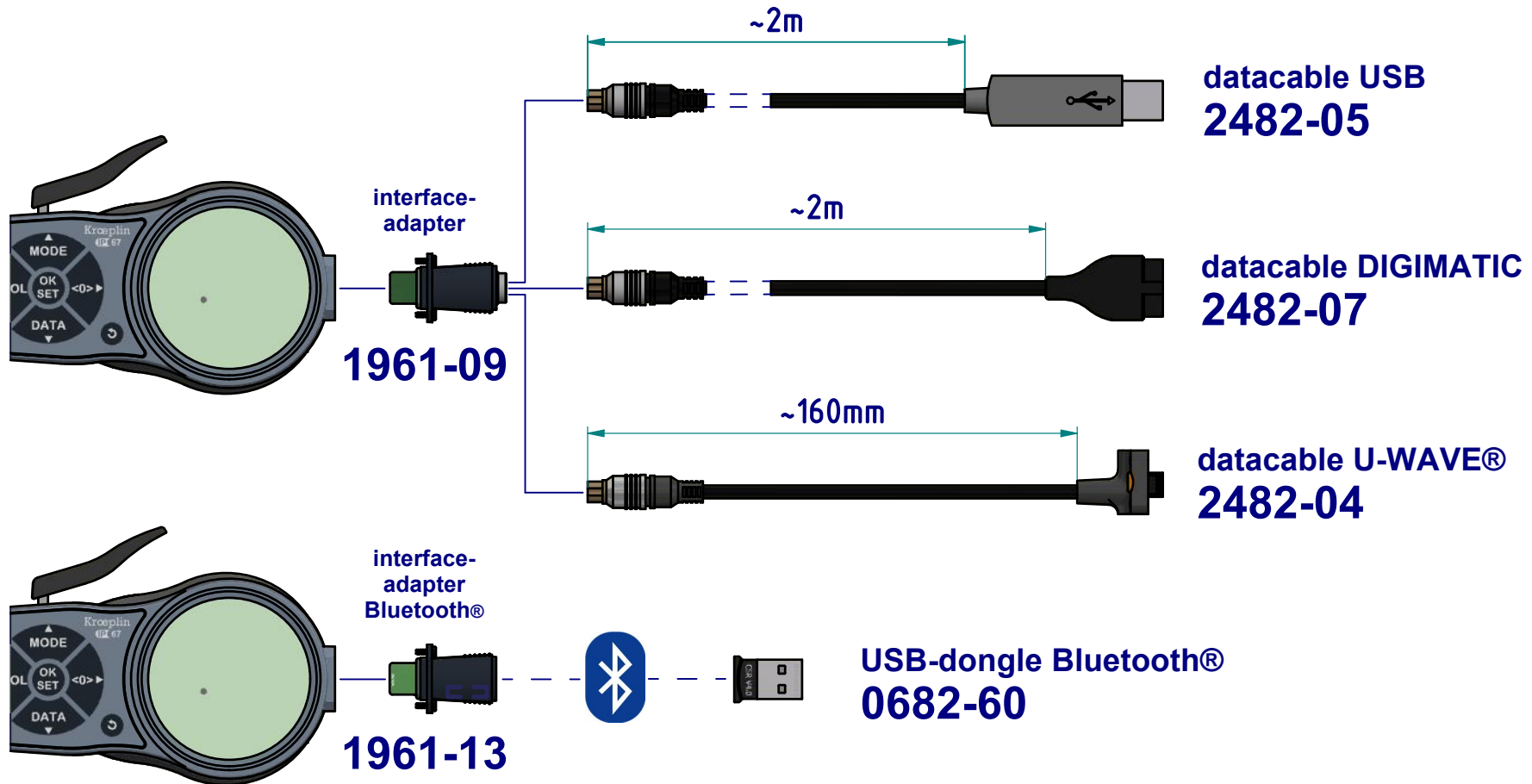
A = 2 L = 81



subject to technical alterations

drawing-nr.:	DAB-L255P3-K-e
date of issue:	21.01.2020
name:	B. Schmidt
revision status:	001
revision date:	23.09.2020

interface as accessories available:



subject to technical alterations

drawing-nr.:	DAB-L255P3-K-e
date of issue:	21.01.2020
name:	B. Schmidt
revision status:	001
revision date:	23.09.2020