

# Optional Styli and Arms for Contour Measurement

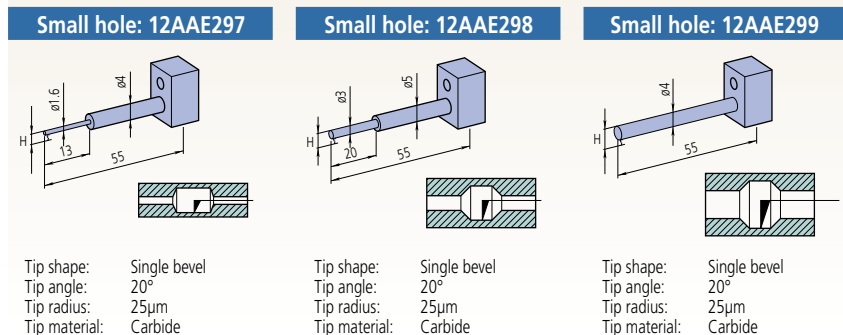
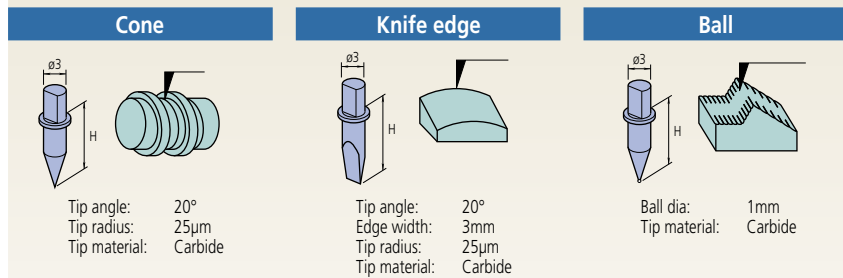
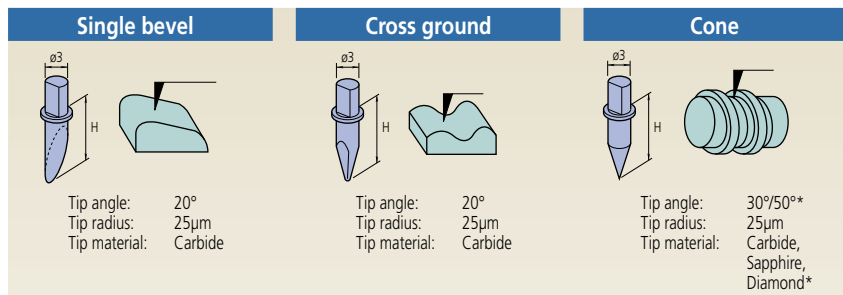
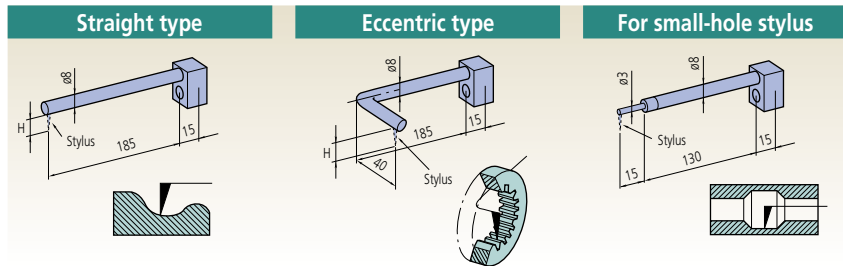
## List of Applicable Arms

Arm name	Order No.	Compatible stylus height
Straight type	12AAE294	H = 6mm
	12AAE295	H = 12mm
	996506	H = 20mm
	996507	H = 30mm
	996508	H = 42mm
Eccentric type	996509	H = 6mm
	996510	H = 12mm
	996511	H = 20mm
	996512	H = 30mm
	996513	H = 42mm
Small hole	12AAE296	Small-hole stylus

## List of Applicable Styli

Stylus name	Order No.	Stylus height
Single-bevel stylus carbide-tipped	354882	H = 6mm
	354883	H = 12mm
	354884	H = 20mm
	345885	H = 30mm
	354886	H = 42mm
Cross-ground stylus carbide-tipped	354887	H = 6mm
	354888	H = 12mm
	354889	H = 20mm
	354890	H = 30mm
	354891	H = 42mm
Cone stylus carbide-tipped tip angle 20°	12AAE865	H = 6mm
	12AAE866	H = 12mm
	12AAE867	H = 20mm
	12AAE868	H = 30mm
Cone stylus sapphire tipped tip angle 30° *Diamond tipped *tip angle 50°	12AAE869	H = 42mm
	354892	H = 6mm
	354893	H = 12mm
	354894	H = 20mm
	355129*	H = 20mm
Cone stylus carbide-tipped tip angle 50°	354895	H = 30mm
	354896	H = 42mm
	12AAA566	H = 6mm
	12AAA567	H = 12mm
	12AAA568	H = 20mm
Cone stylus carbide-tipped tip angle 30°	12AAA569	H = 30mm
	12AAA570	H = 42mm
	354897	H = 6mm
	354898	H = 12mm
Knife-edge stylus carbide-tipped	354899	H = 20mm
	354900	H = 30mm
	354901	H = 42mm
	354902	H = 6mm
	354903	H = 12mm
Ball stylus carbide-tipped	354904	H = 20mm
	354905	H = 30mm
	354906	H = 42mm
	12AAE297	H = 2mm
	12AAE298	H = 4mm
Small-hole stylus carbide-tipped one-sided cut	12AAE299	H = 6.5mm

Standard accessory



- Any specified arm and stylus other than above listed can be custom-made to special order.