

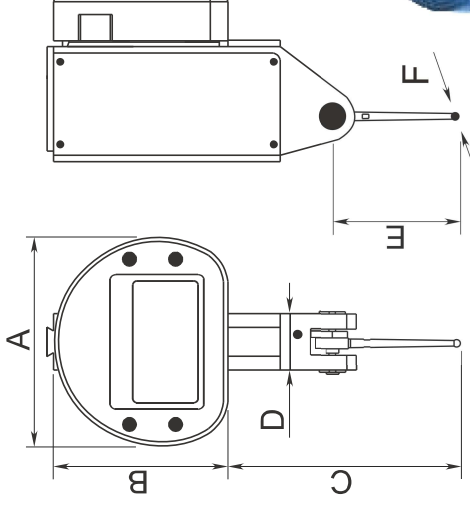
TWICE RANGE DIAL TEST INDICATOR KIT



- Tough shock-proof gearing
- A hard frame body providing excellent rigidity
- White edge of dial for easy to read
- Hardened and ground extra contact point
- Satin chrome-finish case for durability
- Precision gear-driven design with smooth movement
- With twice range on large easy-to-read tilted dial

Code	Range	Graduation	Unit:mm
5221-1002	0-1.6	0.01	
5222-6002	0-0.06"	0.0005"	

DIGITAL TEST INDICATOR



- With large easy-to-read digital display
- With zero setting and metric-inch conversion functions
- Carbide probe
- Packed in a fitted case

Unit:mm

Code	Range	Resolution	A	B	C	D	E	F	Accuracy
5410-8105	0-0.5/(0-0.02")	0.01/0.00005"	47.65	40	44.6	13.27	20	sq2	±0.010
5410-8110	0-0.8/(0-0.03")	0.01/0.00005"	47.65	40	44.6	13.27	20	sq2	±0.020
5410-9105	0-0.4/(0-0.02")	0.001/0.00005"	47.65	40	44.6	13.27	20	sq2	±0.020